

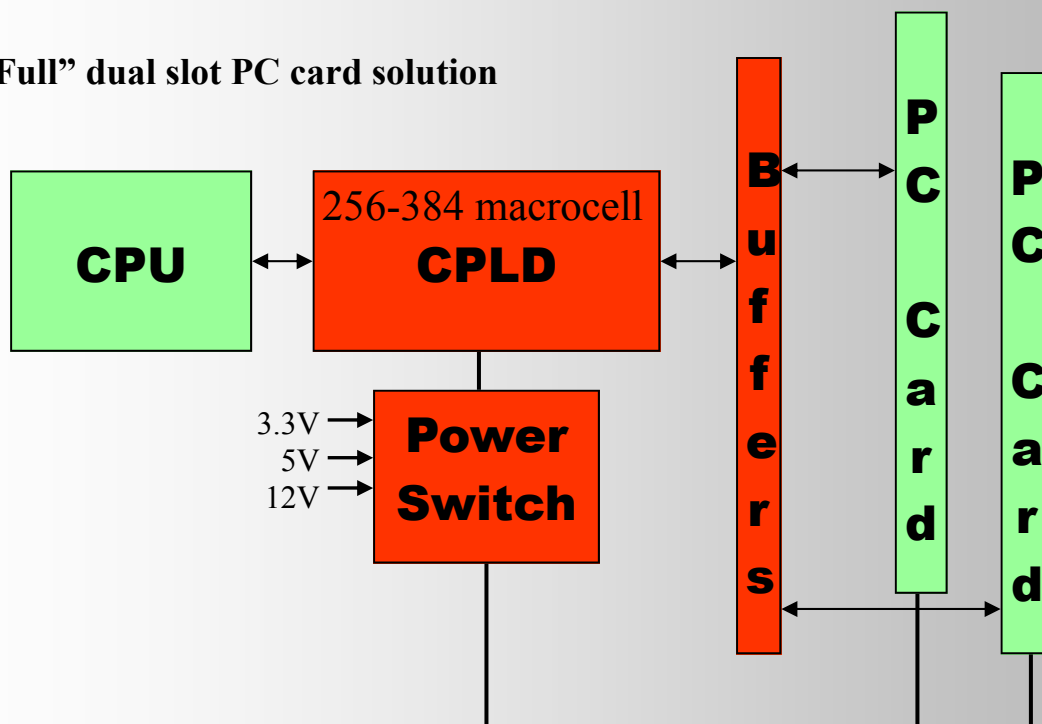
## DD-1121 NMC1121 Replacement Series

Diglis Design offers flexible, affordable solutions to solve the problem of NMC1121 Compact Flash/PC Card Interface replacement. We have replaced the NMC1121 in products ranging from single-slot Compact Flash PDAs to larger, industrial dual-slot PC card computers.

We offer both off-the-shelf and custom solutions with the following features and benefits :

- Memory map compatible with NMC1121 — minimises software changes—**no software changes required for many designs**
- Meets PCMCIA and Compact Flash electrical and timing specifications
- Customisable—registers can be eliminated to reduce CPLD size and thus solution cost. Alternatively, other customer-specific features can be added.
- Dual or single slot in one CPLD (64 –384 macrocells depending on feature set)
- Low power, asynchronous design
- Industrial temperature range
- Lead-free Bill of Materials
- Choice of either Lattice IspMach 4000x or Xilinx XCR3000x CPLDs

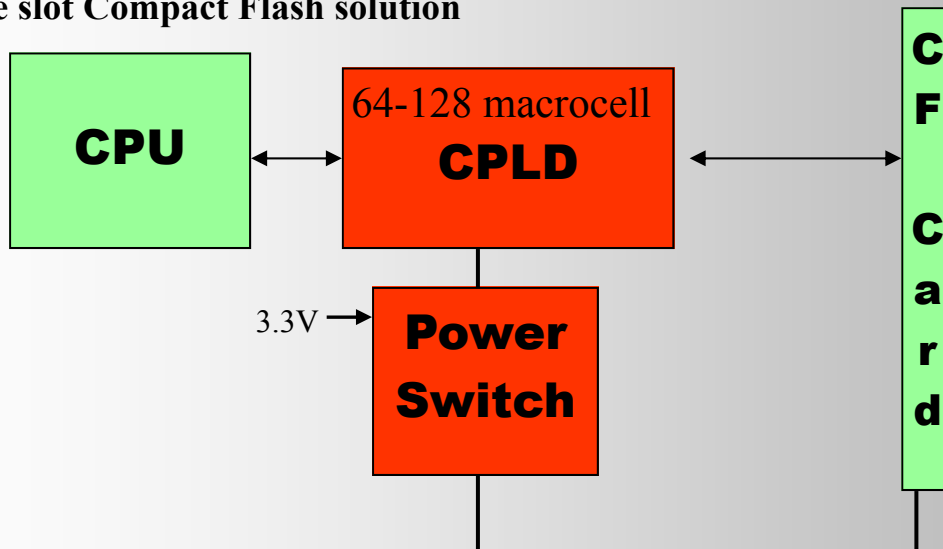
### “Full” dual slot PC card solution



# DD-1121

## NMCI121 Replacement Series

Single slot Compact Flash solution



### About Diglis Design

Diglis Design is a commercially aware electronic design consultancy, assisting our customers in tasks from initial conception and design through to troubleshooting existing products.

We are based in Worcester, UK

For more company details see:

**[www.diglisdesign.co.uk](http://www.diglisdesign.co.uk)**

Or email for more details on our NMC1121 replacement solutions

**[info@diglisdesign.co.uk](mailto:info@diglisdesign.co.uk)**

**Diglis Design Ltd**

**1 Stanage Close,**

**Long Meadow,**

**Worcester**

**WR4 0HQ**

**UK**

**+44 (0) 1905 739015**

**+44 (0) 7715 048464**